

# SOP for CCTVs in SunGuide

## AXIS Q6045-E Mk II and Q6055-E

This Standard Operating Procedure is to provide a standard configuration for CCTV cameras in District 5 for consistent operation in SunGuide, VLC and IVEDDS. Standard settings to check: Network settings, Video/Encoder settings, SNTP (time server type), IP addresses, PTZ settings, Date and Time, RTSP port, NTCIP (port and address), and On Screen Display (ODS).

CCTV cameras are shipped in an unknown state. In order to be uniform with a clean installation, the camera has to be set to a factory default state. A reset to factory default will reset all settings, including the IP address to the factory default values. Resetting a camera to factory default should be used with caution.

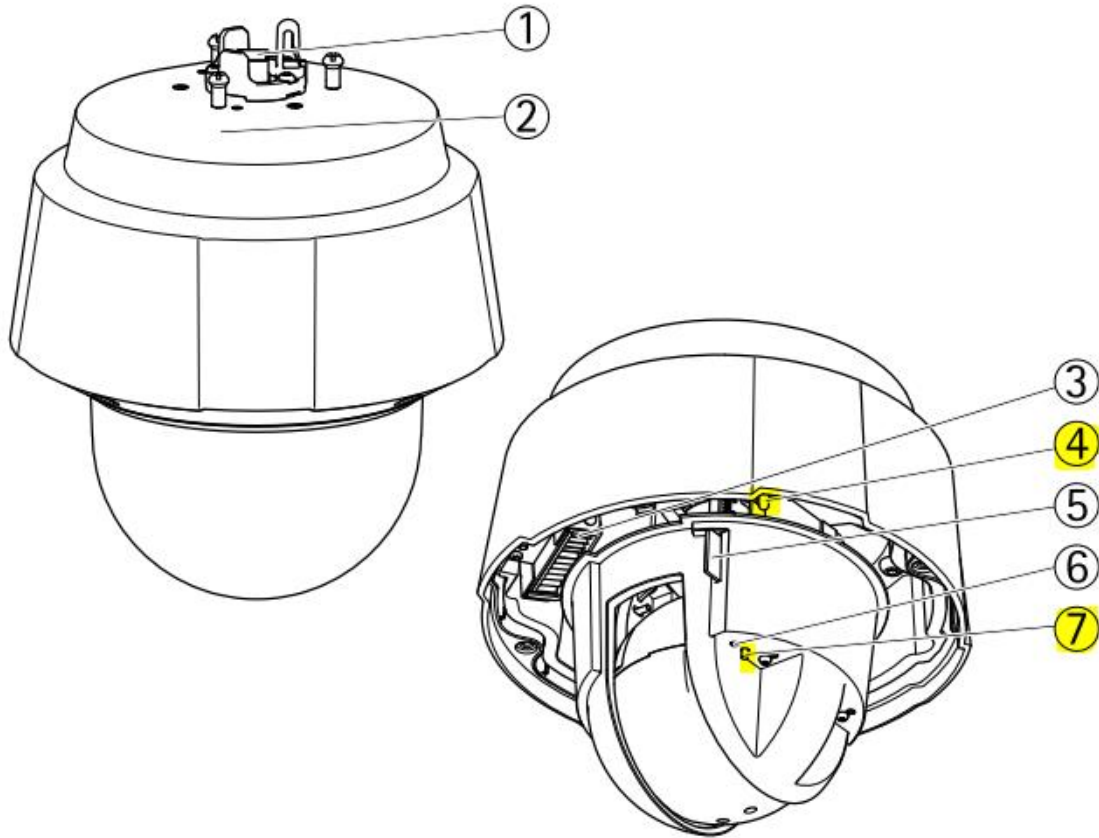
The following SOP is for the AXIS Q6045-E Mk II and Q6055-E IP cameras.

**To set the camera to a default state do the following.**

1. **Remove the protective dome** on the camera. **Take great caution** when removing the dome.
2. **Gently place the camera on its side** to expose the power button (#4) and the control button (#7). See diagram of hardware below.
3. **Connect the special shielded Ethernet cable from the midspan** (PoE injector/ power supply) **DATA & Power OUT port to the camera.**
4. **Connect the AC power cord to the midspan.**
5. **Power up the camera** with the appropriate power source (i.e. AC, DC, midspan PoE injector/power supply).
6. **Press and hold the control button (#7) and the power button (#4) for about 15-30 seconds** until the status LED indicator **flashes amber.**
7. **Release the control button (#7) but continue to hold down the power button (#4) until the status LED indicator turns green.**
8. **Release the power button (#4) and turn OFF camera.** Re-assemble the camera.

# SOP for CCTVs in SunGuide

## Hardware Overview



- 1 Network connector (High PoE)
- 2 Part number (P/N) Et Serial number (S/N)
- 3 Heater
- 4 Power button
- 5 SD card slot
- 6 Status LED indicator
- 7 Control button

## Connectors and Buttons

For technical specifications, see [page 58](#).

### Network Connector

RJ45 Push-pull Connector (IP66). Supports High Power over Ethernet (High PoE). Use the supplied midspan.

# SOP for CCTVs in SunGuide

After reassembling the camera, use a laptop to configure the camera.

**Connect an Ethernet cable from the laptop Ethernet port to the **DATA IN** port on the midspan (PoE injector/ power supply) provided.**

**Connect the special shielded Ethernet cable from the midspan (PoE injector/ power supply) **DATA & Power OUT** port to the camera.**

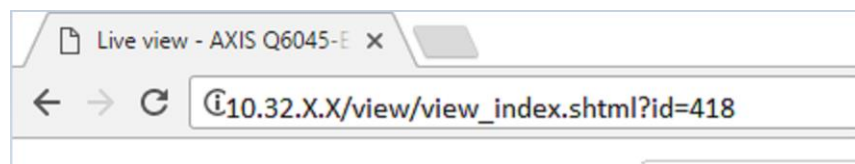
**Connect the AC power cord to the midspan.**

**Apply on Power to the camera.**



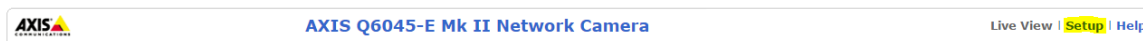
Once the camera is powered and the camera is in factory default state. The default IP address for the camera is 192.168.0.90.

**Log into the camera, using Internet Explorer or Chrome to access the camera's user interface. Type in the default IP address.**



# SOP for CCTVs in SunGuide

Click on Setup.



Enter the following and Log in:

Default user name: <root>

Default password: <pass>

Authentication Required

http://10.32... requires a username and password.  
Your connection to this site is not private.

User Name:

Password:

Log In Cancel

AXIS Q6045-E Mk II Network Camera Live View | Setup | Help

Basic Setup

Before using the AXIS Q6045-E Mk II Network Camera, there are certain settings that should be made, most of which require Administrator access privileges. To quickly access these settings, use the numbered shortcuts to the left. All the settings are also available from the standard setup links in the menu.

Note that the only required setting is the IP address, which is set on the TCP/IP page. All other settings are optional. Please see the online help for more information.

Firmware version: 5.55.6\_withNTCIPoverTCP3  
MAC address: AC:CC:8E:49:19:20

# SOP for CCTVs in SunGuide

Install Firmware.

Click on "System Options".

Click on "Maintenance".

Upgrade Firmware: <Choose File>

Click on "Upgrade".

Click on "Restart".

The screenshot shows the web interface for an AXIS Q6045-E Mk II Network Camera. The page title is "Server Maintenance". On the left sidebar, "System Options" and "Maintenance" are highlighted. The main content area includes:

- Maintain Server**: A yellow "Restart" button with the text "Restart the AXIS Q6045-E Mk II Network Camera." Below it are "Restore" and "Default" buttons, both with descriptions of resetting parameters.
- PTZ Status**: A section showing "Current PTZ status:" with sub-items "Pan: ok", "Tilt: ok", and "Camera: ok". It also shows "Time of last test: 2016-11-22 11:14:34" and a "Test" button.
- Upgrade Server**: A section with the text "Upgrade the AXIS Q6045-E Mk II with the latest firmware." It features a "Specify the firmware to upgrade to:" label, a yellow "Choose File" button (with "No file chosen" next to it), and a yellow "Upgrade" button. A note below states: "Note: Do not disconnect power to the unit during the upgrade. The unit restarts automatically after the upgrade has completed. (1-10 minutes.)"

Look for this Firmware version or a newer version with NTCIP in the name description.

The screenshot shows the "Basic Setup" page of the AXIS Q6045-E Mk II Network Camera web interface. The left sidebar shows "Basic Setup" expanded with "Instructions" selected. The main content area includes:

- Instructions**: A list of numbered shortcuts: "1 Users", "2 TCP/IP", "3 Date & Time", and "4 Video Stream".
- Basic Setup**: A section with introductory text: "Before using the AXIS Q6045-E Mk II Network Camera, there are certain settings that should be made, most of which require Administrator access privileges. To quickly access these settings, use the numbered shortcuts to the left. All the settings are also available from the standard setup links in the menu." It also includes a note: "Note that the only required setting is the IP address, which is set on the TCP/IP page. All other settings are optional. Please see the online help for more information."
- Firmware and MAC information**: A yellow highlighted box contains the text: "Firmware version: 5.55.6\_withNTCIPoverTCP3" and "MAC address: AC:CC:8E:49:9C:59".

# SOP for CCTVs in SunGuide

## 1. Basic TCP/IP settings:

Click on “2 TCP/IP”.

Set the following parameters for the Network.

IPv4 is enabled: <check box>

IP address: <10.32.X.X>

Subnet mask: <255.255.255.X>

Gateway (Default router): <10.32.X.X>

**AXIS** COMMUNICATIONS **AXIS Q6045-E Mk II Network Camera** Live View | Setup | Help

### Basic TCP/IP Settings

**Network Settings**

View current network settings:

**IPv4 Address Configuration**

Enable IPv4

Obtain IP address via DHCP

Use the following IP address:

IP address:

Subnet mask:

Default router:

**IPv6 Address Configuration**

Enable IPv6

**Services**

Enable ARP/Ping setting of IP Address

Enable AVHS

One-click enabled  Always

Proxy:

Proxy port:

Proxy login:

Proxy password:

Proxy authentication method:  Basic  Digest  Auto

AXIS Internet Dynamic DNS Service

See also the [advanced TCP/IP settings](#)

Click SAVE.

# SOP for CCTVs in SunGuide

NOTE: Click SAVE after every configuration setting for that window before moving to the next menu item.

## 2. System Options settings:

Click on “System Options”.

Click on the “Add...” button.

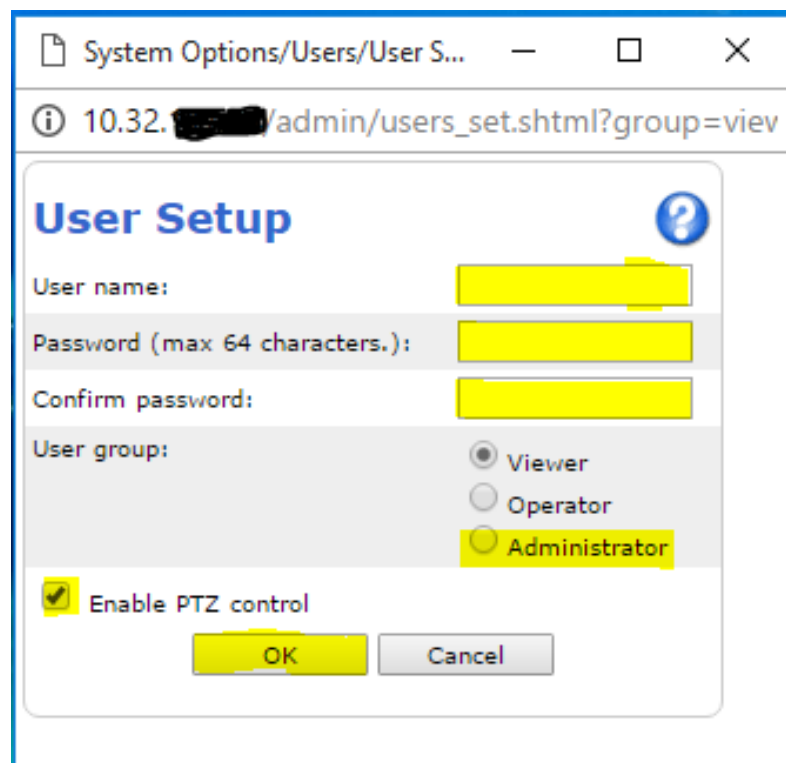
The screenshot displays the web interface for an AXIS Q6045-E Mk II Network Camera. The top navigation bar includes the AXIS logo, the camera model name, and links for Live View, Setup, and Help. A left-hand menu lists various configuration categories, with 'System Options' expanded to show 'Users' as the active selection. The main content area is titled 'Users' and features a 'User List' table with columns for 'User Name' and 'User Group'. Below the table are buttons for 'Add...', 'Modify...', and 'Remove'. Further down, there are sections for 'HTTP/RTSP Password Settings' (with a dropdown menu set to 'Unencrypted only') and 'User Settings' (with three checked checkboxes: 'Enable anonymous viewer login', 'Enable anonymous PTZ control login', and 'Enable Basic Setup'). 'Save' and 'Reset' buttons are located at the bottom of the settings section.

User Name	User Group
root	Administrator
fdot	Administrator
wwwa	Administrator
wwwao	Administrator
wwwaop	Administrator
wwwaov	Administrator
wwwaovp	Administrator
wwwap	Administrator

# SOP for CCTVs in SunGuide

Set the following parameters for User Setup.

*User name:* <fdot>  
*Password:* <fdot>  
*Confirm password:* <fdot>  
*Enable PTZ control:* <check the box>  
*Select User group:* <Administrator>



The screenshot shows a web browser window titled "System Options/Users/User S..." with the address bar displaying "10.32. [redacted] /admin/users\_set.shtml?group=view". The main content area is titled "User Setup" and contains the following fields and controls:

- User name:** A text input field with a yellow highlight.
- Password (max 64 characters.):** A text input field with a yellow highlight.
- Confirm password:** A text input field with a yellow highlight.
- User group:** A radio button selection area with three options: "Viewer", "Operator", and "Administrator". The "Administrator" option is selected and highlighted in yellow.
- Enable PTZ control:** A checked checkbox with a yellow highlight.
- Buttons:** "OK" and "Cancel" buttons at the bottom, with the "OK" button highlighted in yellow.

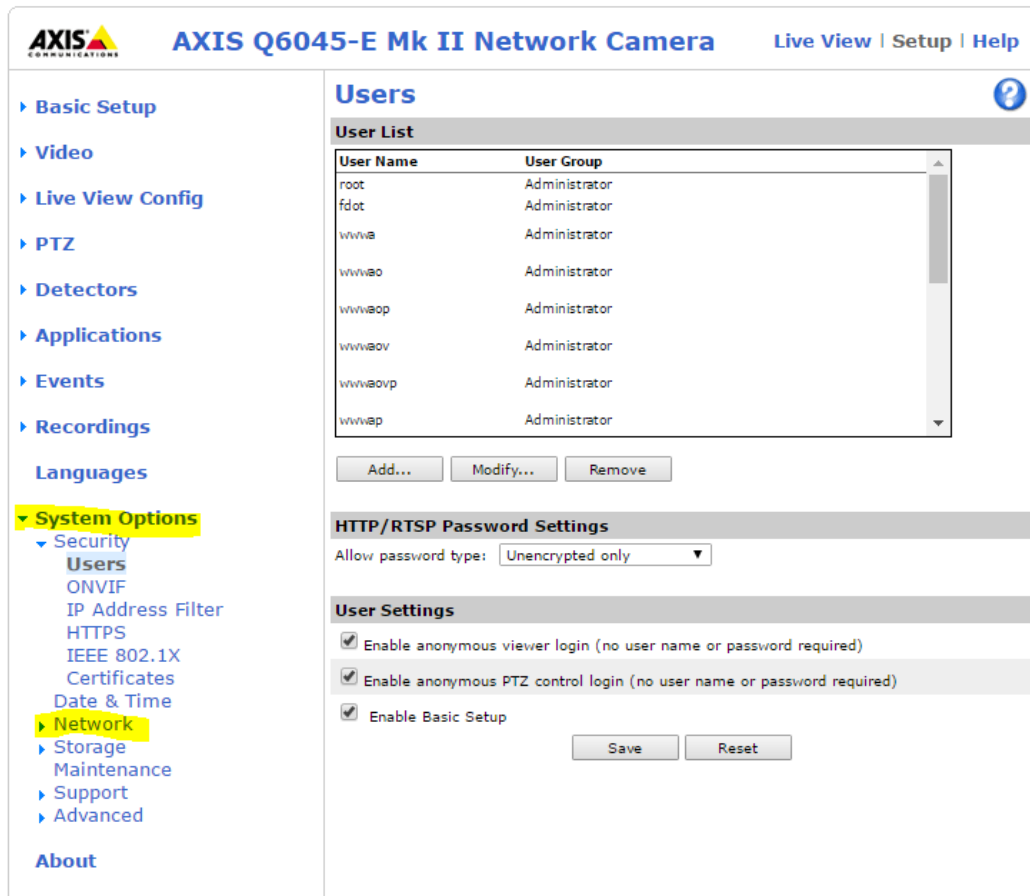
Click "OK".



# SOP for CCTVs in SunGuide

Click on “System Options”.

Click on “Network”.



The screenshot displays the web interface for an AXIS Q6045-E Mk II Network Camera. The page title is "AXIS Q6045-E Mk II Network Camera" with links for "Live View", "Setup", and "Help". The left sidebar contains a navigation menu with "System Options" expanded to show "Security" and "Users" selected. The main content area is titled "Users" and features a "User List" table with columns for "User Name" and "User Group". Below the table are "Add...", "Modify...", and "Remove" buttons. Further down, there are "HTTP/RTSP Password Settings" and "User Settings" sections, each with a "Save" and "Reset" button.

User Name	User Group
root	Administrator
fdot	Administrator
wwwa	Administrator
wwwao	Administrator
wwwaop	Administrator
wwwaov	Administrator
wwwaovp	Administrator
wwwap	Administrator

**HTTP/RTSP Password Settings**  
Allow password type: Unencrypted only

**User Settings**

- Enable anonymous viewer login (no user name or password required)
- Enable anonymous PTZ control login (no user name or password required)
- Enable Basic Setup

# SOP for CCTVs in SunGuide

Click on “Advanced”.

Check the following settings.

NTP Configuration: < (Enter IP address of NTP server 10.32.X.X)>

FTP Enable: <check the box>

RTSP Enable: <check the box>

RTSP port: <554>

**AXIS** COMMUNICATIONS **AXIS Q6045-E Mk II Network Camera** Live View | Setup | Help

**Advanced TCP/IP Settings** ?

**DNS Configuration**

Obtain DNS server address via DHCP

Use the following DNS server address:

Domain name:  (use ; to separate names)

Primary DNS server:

Secondary DNS server:

**NTP Configuration**

Obtain NTP server address via DHCP

Use the following NTP server address:

Network address:  (host name or IP address)

**Host Name Configuration**

Use the host name:

Enable dynamic DNS updates

Register DNS name:  (Axisproduct.example.com)

TTL:

**Link-Local IPv4 Address**

Auto-Configure Link-Local Address

**HTTP**

HTTP port:

**HTTPS**

HTTPS port:

**NAT traversal (port mapping) for IPv4**

NAT traversal is disabled.

Use manually selected NAT router:  (LAN IP address)

Alternative HTTP port:  \*

\* If set to blank or 0, a port number will be set automatically upon enable.

**FTP**

Enable FTP server

**RTSP**

Enable RTSP server\*

RTSP port:

\* H.264 video streams will be unavailable if this is disabled.

Click SAVE.

# SOP for CCTVs in SunGuide

Click on "Date & Time".

Set the following parameters for Date and Time.

Time Zone select: <GMT-05 (New York, Toronto, Washington DC)>

Time mode select: <Synchronize with NTP server>

The screenshot displays the web interface for an AXIS Q6045-E Mk II Network Camera. The page title is "Date & Time Settings". On the left, a navigation menu includes "Basic Setup", "Video", "Live View Config", "PTZ", "Detectors", "Applications", "Events", "Recordings", "Languages", "System Options" (with "Date & Time" highlighted), "Security", "Network", "Storage", "Maintenance", "Support", "Advanced", and "About". The main content area is divided into sections: "Current Server Time" (Date: 2017-01-30, Time: 17:50:11), "New Server Time" (Time zone: GMT-05 (New York, Toronto, Washington DC), Automatically adjust for daylight saving time changes: checked), "Time mode" (Synchronize with NTP server: selected, NTP server: 10.32.0.9), and "Date & Time Format Used in Images" (Specify date format: Predefined YYYY-MM-DD, Specify time format: Predefined 24h, With resolution: 1 second). "Save" and "Reset" buttons are at the bottom.

Click SAVE.

# SOP for CCTVs in SunGuide

Click on “Network”.

Click on “SNMP”.

Set the following parameters for SNMP settings.

Enable SNMP v1: <check the box>

Read community: <public>

Write community: <write>

**AXIS** COMMUNICATIONS **AXIS Q6045-E Mk II Network Camera** Live View | Setup | Help

### SNMP Settings

**SNMP v1/v2c**

Enable SNMP v1	<input checked="" type="checkbox"/>
Enable SNMP v2c	<input type="checkbox"/>
Read community:	public
Write community:	write

Enable traps

Trap address:

Trap community: public

**Available traps**

Cold start	<input type="checkbox"/>
Warm start	<input type="checkbox"/>
Link up	<input type="checkbox"/>
Authentication failed	<input type="checkbox"/>

**SNMP v3**

Enable SNMP v3

SNMP v3 Initial user's password:

Note:  
Initial user password is activated only when HTTPS is enabled and can only be set once.  
If SNMP v3 is enabled, then SNMP v1/v2c traps should be disabled.

**Save** **Reset**

Click SAVE.

# SOP for CCTVs in SunGuide

Click on "RTP".

Set the following parameters for RTP Multicast settings.

Video address: < Enter Multicast address 232.X.X.X >

Always Multicast Video: <check the box>

Select Stream: <H.264>

The screenshot displays the web interface for an AXIS Q6055-E Network Camera. The top navigation bar includes the AXIS logo, the camera model name, and links for Live View, Setup, and Help. A left-hand sidebar contains a menu with categories like Basic Setup, Video, Live View Config, PTZ, Detectors, Applications, Events, Recordings, Languages, System Options, and About. The 'RTP' option under System Options is highlighted in yellow. The main content area is titled 'RTP Settings' and features a 'Port Range' section with input fields for 'Start port' (5000) and 'End port' (5099). Below this is a 'Multicast' section with fields for 'Video address' (0.0.0.0), 'Video port' (0), and 'Time to live' (64). A checkbox for 'Always Multicast Video' is checked, and a dropdown menu is set to 'H.264'. A note at the bottom states '\* 0 = Port automatically selected within the port range specified above.' and there are 'Save' and 'Reset' buttons.

Click SAVE.

# SOP for CCTVs in SunGuide

Click on "Advanced".

The screenshot shows the web interface for the AXIS Q6045-E Mk II Network Camera. The left sidebar contains a navigation menu with the following items: Basic Setup, Video, Live View Config, PTZ, Detectors, Applications, Events, Recordings, Languages, System Options (Security, Date & Time, Network, TCP/IP, SOCKS, QoS, SNMP, UPnP™, RTP, Bonjour), Storage, Maintenance, Support, and Advanced (highlighted in yellow). The main content area is titled "RTP Settings" and includes a "Port Range" section with input fields for "Start port" (5000) and "End port" (5099). Below this is a "Multicast" section with fields for "Video address" (232.219.2.0), "Video port" (0), and "Time to live" (5). There is a checkbox for "Always Multicast Video" which is checked, and a dropdown menu set to "H.264". A note states: "\*0 = Port automatically selected within the port range specified above." At the bottom of the settings area are "Save" and "Reset" buttons.

Click on "Plain Config".

The screenshot shows the web interface for the AXIS Q6045-E Mk II Network Camera. The left sidebar navigation menu is identical to the previous screenshot, but the "Advanced" menu item is expanded to show "Scripting", "File Upload", and "Plain Config" (highlighted in yellow). The main content area is titled "Advanced Scripting" and contains a button labeled "Open Script Editor". Below the button, there is a warning message: "Axis strongly recommends that you do not use this function unless you fully understand the consequences." and a note: "If the editing of a script does cause problems, the only recourse then will be to reset the product to its factory default settings."

# SOP for CCTVs in SunGuide



AXIS Q6045-E Mk II Network Camera

[Live View](#) | [Setup](#) | [Help](#)

The plain config page allows direct access to all the configurable parameters supported by the AXIS Q6045-E Mk II Network Camera. This page uses no extra scripts (Javascript or otherwise) and should function correctly in any browser or PDA.

Select the parameter group to modify and configure the settings directly.

For help on parameters, please refer to the relevant help page available from the standard setup tools.

Enable plain config as default setup pages

Save default setup pages

Select a group of parameters to modify:

----- ▼ Select group

Click on the drop down menu, scroll down and select “SNMP”.



AXIS Q6045-E Mk II Network Camera

[Live View](#) | [Setup](#) | [Help](#)

The plain config page allows direct access to all the configurable parameters supported by the AXIS Q6045-E Mk II Network Camera. This page uses no extra scripts (Javascript or otherwise) and should function correctly in any browser or PDA.

Select the parameter group to modify and configure the settings directly.

For help on parameters, please refer to the relevant help page available from the standard setup tools.

Enable plain config as default setup pages

Save default setup pages

Select a group of parameters to modify:

----- ▼ Select group

- Log
- MailLogd
- Motion
- Network
- Notify
- Properties
- PTZ
- Recording
- RemoteService
- Serial
- SMTP
- SNMP**
- SOCKS
- Storage
- StreamCache
- StreamProfile
- System
- TemperatureControl
- Time
- WebService

Click “Select group”.

Save default setup pages

Select a group of parameters to modify:

SNMP ▼ Select group

# SOP for CCTVs in SunGuide

Ensure that the following parameters are set.

*Enabled:* <box is checked>

*V1 Enabled:* <box is checked>

*SNMP ntcip:* <box is checked>

SNMP

## SNMP

<b>Enabled:</b>	<input checked="" type="checkbox"/>
SNMP EngineBoots counter:	<input type="text" value="19"/> [1..]
<b>V1 Enabled:</b>	<input checked="" type="checkbox"/>
V2c Enabled:	<input type="checkbox"/>
V3 Enabled:	<input type="checkbox"/>
Read Community:	<input type="text" value="public"/>
Write Community:	<input type="text" value="write"/>
SNMP DSCP:	<input type="text" value="0"/> [0..63]
<b>SNMP ntcip:</b>	<input checked="" type="checkbox"/>
<b>SNMP Trap:</b>	
Enable Traps:	<input type="checkbox"/>
<b>SNMP Trap T0:</b>	
Trap Address:	<input type="text"/>
Trap Community:	<input type="text" value="public"/>
<b>SNMP Trap T0 AuthFail:</b>	
Authentication Failed:	<input type="checkbox"/>
<b>SNMP Trap T0 ColdStart:</b>	
Cold Start:	<input type="checkbox"/>
<b>SNMP Trap T0 LinkUp:</b>	
Link Up:	<input type="checkbox"/>
<b>SNMP Trap T0 WarmStart:</b>	
Warm Start:	<input type="checkbox"/>
Save page changes:	<input type="button" value="Save"/> <input type="button" value="Reset"/>

Click Save and then click Setup.





# SOP for CCTVs in SunGuide

## 3. Video Stream settings:

Click on “Video”.

Set the following parameters for the Video Stream.

Maximum frame rate: <Unlimited>

Overlay settings: <check the box>

Include text: <Roadway, Direction, at Mile Marker 000.0>

For example: <I-75 NB at MM\_354.3>

Text overlay size: <medium>

Text color: <white>

Text background color: <transparent>

Place text/date/time positions: <top >

The screenshot displays the web interface for an AXIS Q6045-E Mk II Network Camera. The left sidebar contains navigation options: Basic Setup, Video (selected), Live View Config, PTZ, Detectors, Applications, Events, Recordings, Languages, System Options, and About. The main content area is titled "Video Stream Settings" and includes a "Video Stream" section with the following configurations:

- Image Appearance:** Resolution: 1280x720 (16:9), Compression: 70, Rotate image: 0 degrees.
- Video Stream:** Maximum frame rate: Unlimited (selected).
- Overlay Settings:** Include overlay image at the coordinates: X 0, Y 0; Include date and time: unchecked; Include text: checked with text "I-75 NB at 306.3"; Text overlay size: medium; Text color: white; Text background color: transparent; Place text/date/time at: top of image.

At the bottom, there is a "Preview" section with a "View image stream while configuring. Video format: MJPEG" and buttons for "Save" and "Reset".

Click Save.

# SOP for CCTVs in SunGuide

Click on "H.264" tab.

Set the following parameters for the Video Stream Encoder Settings and Bit Rate Control.

GOV length: <62>  
H.264 profile: <Main>  
Use: <Maximum bit rate>  
Target bit rate: <2048> kbit/s  
Priority: <None>

The screenshot shows the web interface for an AXIS Q6045-E Mk II Network Camera. The page title is "AXIS Q6045-E Mk II Network Camera" with links for "Live View", "Setup", and "Help". The left sidebar contains a navigation menu with categories: Basic Setup, Video (expanded), Live View Config, PTZ, Detectors, Applications, Events, Recordings, Languages, System Options, and About. Under the "Video" category, "Video Stream" is selected, with sub-options for Stream Profiles, Camera Settings, Overlay Image, and Privacy Mask. The main content area is titled "Video Stream Settings" and has three tabs: "Image", "H.264" (selected), and "MJPEG". The "H.264" tab is divided into two sections: "Encoder Settings" and "Bit Rate Control". In the "Encoder Settings" section, "GOV length" is set to 62 (range [1..61440]) and "H.264 profile" is set to Main. In the "Bit Rate Control" section, "Use:" is set to "Maximum bit rate" (radio button selected), "Target bit rate" is set to 2048 kbit/s, and "Priority" is set to None. At the bottom of the page, there is a "Preview" section with a "View image stream while configuring" checkbox, a "Video format" dropdown set to MJPEG, and an "Open..." button. Below the preview section are "Save" and "Reset" buttons.

Click Save.

# SOP for CCTVs in SunGuide

Click on “MJPEG” tab.

Verify that the following parameters are set.

The screenshot displays the web interface for an AXIS Q6045-E Mk II Network Camera. The top navigation bar includes the AXIS logo, the camera model name, and links for Live View, Setup, and Help. A left-hand sidebar contains a menu with categories like Basic Setup, Video, Live View Config, PTZ, Detectors, Applications, Events, Recordings, Languages, System Options, and About. The main content area is titled "Video Stream Settings" and features three tabs: Image, H.264, and MJPEG. The MJPEG tab is active, showing a "Frame Size Control" section with a "Maximum frame size:" label. Two radio button options are present: "Default" (which is selected) and "Limited to" followed by an empty input field and the text "[1..100000] kbytes". Below this section is a "Preview" area with a text label "View image stream while configuring. Video format:" followed by a dropdown menu set to "MJPEG" and an "Open..." button. At the bottom of the interface are "Save" and "Reset" buttons.

Click Save.

# SOP for CCTVs in SunGuide

Click on “Camera Settings”.

Set the following parameters.

Capture mode: <1080p 1920x1080 (16:9) @ 30fps>

White balance: <Automatic Outdoor>

Exposure control: <Automatic>

Max exposure time: <1/30 s>

Allow slow shutter: <check the box>

Max gain: <42 dB>

Exposure Zones: <Auto>

IR cut filter: <Auto>

Day/Night shift priority: <Day>

Autofocus Enabled: <check the box>

AXIS Q6045-E Mk II Network Camera Live View | Setup | Help

### Camera Settings

**Capture mode**  
Capture mode: 1080p 1920x1080 (16:9) @ 30fps

**Image Appearance**  
Color level: 50 [0..100]  
Brightness: 50 [0..100]  
Sharpness: 50 [0..100]

**White Balance**  
White balance: Automatic Outdoor

**Wide Dynamic Range**  
Wide dynamic range: Off

**Exposure Settings**  
Exposure control: Automatic  
Max exposure time: 1/30 s  Allow slow shutter  
Enable Backlight compensation:   
Enable Highlight compensation:   
Max gain: 42 dB  
Exposure zones: Auto  
IR cut filter: Auto  
Day/Night shift priority: Day

**Image Settings**  
Autofocus enabled:   
Auto defog: Low  
Noise reduction: On  
Image freeze on PTZ: Off

**View Image Settings**  
View image after saving.

Click Save.

# SOP for CCTVs in SunGuide

## 4. Live View Config settings:

Click on “Live View Config”.

Click on “Layout”.

Verify that the following parameters are set.

**AXIS** COMMUNICATIONS **AXIS Q6045-E Mk II Network Camera** [Live View](#) | [Setup](#) | [Help](#)

**Live View Layout** ?

**Stream Profile**

Stream profile: MJPEG ▼

Show stream profile selection

**Default Viewer**

Windows Internet Explorer: AMC (ActiveX) ▼

Other Browsers: Server push ▼

**Note:** QuickTime is only used with H.264. Motion JPEG will be shown with AMC in Windows Internet Explorer and with server push in other browsers.

**Viewer Settings**

Show viewer toolbar

Enable H.264 decoder installation

Show crosshair in PTZ joystick mode\*

Use PTZ joystick mode as default\*

Enable recording button

\*Not applicable to AMC (ActiveX).

**Action Buttons**

Show manual trigger button for Video

Show snapshot button

Show autotracking button

Show fan button

Fan 0 activate for 5 minutes.  
Fan 1 activate for 5 minutes.  
Fan 2 activate for 5 minutes.

Show heater button

Activate for 5 minutes.

**User Defined Links**

Show custom link 1

Use as:  cgi link  web link

Name: Custom link 1 URL: http://

Show custom link 2

Use as:  cgi link  web link

Name: Custom link 2 URL: http://

Show custom link 3

Use as:  cgi link  web link

Name: Custom link 3 URL: http://

Show custom link 4

Use as:  cgi link  web link

Name: Custom link 4 URL: http://

**Save** **Reset**

Click Save.

# SOP for CCTVs in SunGuide

## 5. Pan/Tilt/Zoom (PTZ) settings:

Click on “PTZ”.

Click on “Advanced”.

Set the Limits for the E-flip.

Enable E-flip: <check the box>

The screenshot shows the web interface for an AXIS Q6045-E Mk II Network Camera. The page title is "LIMITS" under the "Mechanical Restrictions" section. The interface includes a navigation menu on the left with "PTZ" and "Advanced Limits" highlighted. The main content area features a live video feed of a highway with the text "I-75 NB at 306.3" overlaid. Surrounding the video are input fields for "Upper limit: 20 [-90..20]", "Left limit: -180 [-180..180]", and "Right limit: 180 [-180..180]", each with a "Go to" button. Below the video, there is a checked checkbox for "Enable E-flip:". Further down, there are settings for "Zoom tele limit" (x64 (x2 D)), "Focus near limit" (3.0 m), and "Move speed" (450 deg/sec), each with a "Go to" button. A "Test speed" button is also present. At the bottom, there is a checked checkbox for "Enable proportional speed" with a "Max proportional speed" of 200 [1..1000]. A note states: "Note: All changed limits must be saved before the Go to button will work with the new settings." At the very bottom, there are "Save" and "Reset" buttons.

Click Save.

# SOP for CCTVs in SunGuide

Click on “Controls”.

Verify that the following parameters are set.

**AXIS** COMMUNICATIONS **AXIS Q6045-E Mk II Network Camera** [Live View](#) | [Setup](#) | [Help](#)

▶ Basic Setup  
▶ Video  
▶ Live View Config  
▼ PTZ  
    Preset Positions  
    ▶ Autotracking  
    Gatekeeper  
    Guard Tour  
    OSDI Zones  
    ▼ Advanced  
        Limits  
        **Controls**  
        Control Queue  
▶ Detectors  
▶ Applications  
▶ Events  
▶ Recordings  
Languages  
▶ System Options  
About

### Control Settings

Panel Shortcut Command Buttons

No	Label	Information	URL	Enabl.
----	-------	-------------	-----	--------

**Enable/Disable controls**

- Pan enable
- Tilt enable
- Zoom enable
- Focus enable
- Iris enable

Click Save.

# SOP for CCTVs in SunGuide

## 6. Logging Out of device:

Click on “System Options”.

Click on “Maintenance”.

Click on “Restart”.

Turn off power to the camera.

The screenshot displays the web interface for an AXIS Q6045-E Mk II Network Camera. The top navigation bar includes the AXIS logo, the camera model name, and links for Live View, Setup, and Help. A left sidebar contains a menu with categories like Basic Setup, Video, Live View Config, PTZ, Detectors, Applications, Events, Recordings, Languages, System Options (highlighted), and About. Under System Options, Security, Date & Time, Network, Storage, Maintenance (highlighted), Support, and Advanced are listed. The main content area is titled 'Server Maintenance' and features a 'Maintain Server' section with 'Restart', 'Restore', and 'Default' buttons. Below this is a 'PTZ Status' section showing 'Pan: ok', 'Tilt: ok', and 'Camera: ok', with a 'Test' button. The 'Upgrade Server' section includes a 'Choose File' button and an 'Upgrade' button, accompanied by a note about power and upgrade duration.

Camera is configured and ready to be installed.